



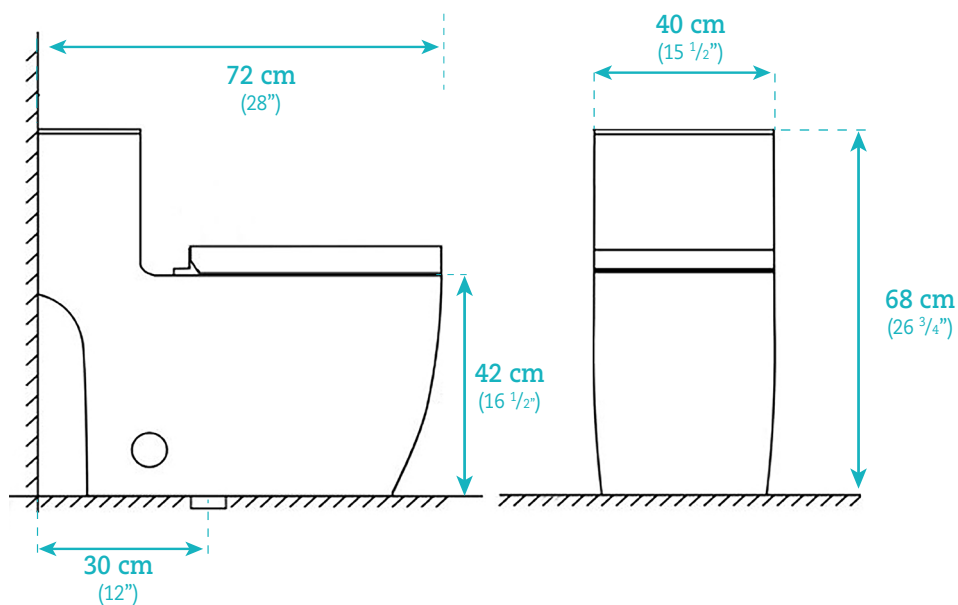
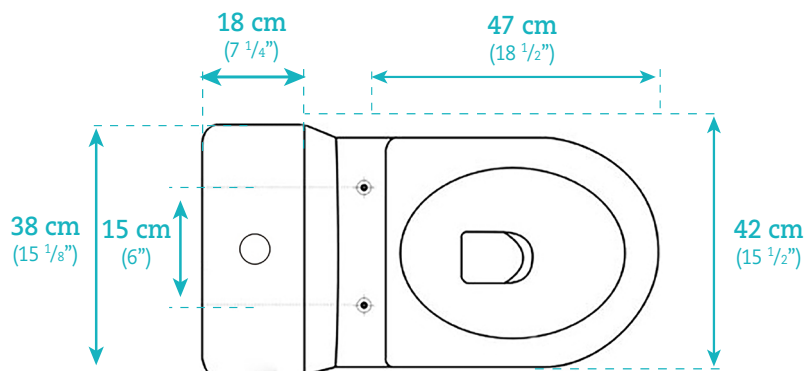
HPH  
BY **aktuell**  
AKTUELL.CA

# HPH

## One-piece toilet



**AKK0332DF**



### Dimensions

**Width**  
40 cm / 15 1/8"

**Depth**  
72 cm / 28"

**Height**  
68 cm / 26 3/4"

### Features

- Ideal seat height (42 cm / 16 1/2 po)
- One-Piece Toilet high performance rimless flush
- Double flush 4 or 6Lpf with rimless flush
- Chrome finish top mounted push button actuator
- Includes slow close seat
- High quality ultra white porcelain



BY

aktuell

AKTUELL.CA

# Wall Mounted toilet with In-Wall carrier system

## Product description

## Code



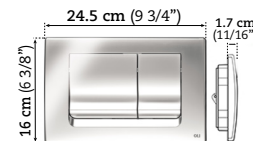
- Double flush 4 or 6Lpf with rimless flush
- Includes slow close seat
- High quality ultra white porcelain
- 2 "x 4" stud wall installation
- 10 years Limited Warranty on In-Wallcarrier system and 1 year on porcelain and seat.

**AKKKIT0707W**

- Polish chrome plate included



**AKKKIT0708W**



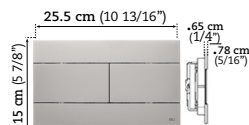
## SLIM COLLECTION

Optional finish for actuator plates not included.

## Code

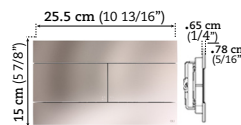
## Code

### POLISHED CHROME FINISH



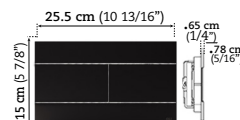
**AKK879459WP**

### MAT CHROME FINISH



**AKK879460WP**

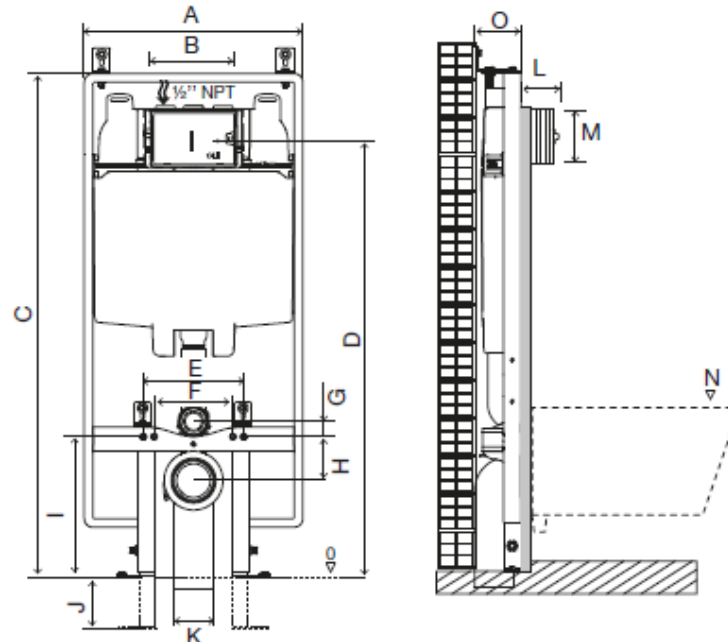
### BLACK FINISH



**AKK879461WP**

# TECHNICAL SHEET

OLI74 Plus S90 Sanitarblock  
In wall toilet carrier 601803



	A	B	C	D	E	F	G	H	I	J	K	L	M	N	O
mm	500	185	1150	1000	230	180	35	100	320	0-150	Ø90-90	10-90	120	400±10	90-145
in	19.6	7.3	45.2	39.4	9.1	7.1	1.4	3.9	12.6	0-5.9	Ø 3.5-3.5	0.39-3.5	4.7	16±0.39	3.5-5.71

Millimetres/inches measures

## Definition and application

- Preassembled in-wall toilet carrier compatible for 2" x 4" and 2" x 6" installations. Minimal wall thickness is 3.6".
- Compatible with all wall-hung WC toilets.

## Technical Features

### Metal Structure

- Painted solid tubular metal structure
- Corrosion resistant
- Adjustable height
- Depth adjustable pipe fitting

### Tank system

- Water-saving dual flush system 6 & 3litres (1.6US gal & 0.79US gal)
- Mechanical actuation
- Filling pressure from 1.45 psi to 232 psi
- Resistance to atmospheric humidity (Hr <90%).
- Polypropylene (PP) Tank highly resistant and inalterable to thermal stress
- Certified Tank according UPC/IAPMO standards

- Equipped with Azor Plus Inlet Valve, with delayed refilling (saves up to 9 litres/ 2.4US gal of water per day) and silent according to the UPC/IAPMO standards
- Supplied with anti-condensation lining

### Control plate

- Water-saving dual flush system
- Mechanical actuation
- Abs control plate: high resistance to scratches
- Polished chrome finishing
- Actuation force <20N
- 2 Easy-fit actuation and fixing screws

### Accessories

- 1 Discharge pipe ø 90mm x 250mm (ø3.5in x 9.8in)
- 1 Seal for discharge pipe ø 125mm (ø4.9in)
- 1 Connecting pipe ø 45mm x 180mm (ø1.8in x 7.1in)
- 1 Pan rubber seal ø 45mm (ø1.8in)
- 1 Protective box
- 1 G ½" stop valve
- 1 Protection sponge for the stop valve

- 1 Flush bend ø 90mm / 90mm L230mm/L350mm (ø3.5in x 9.8in/13.7in)
- 1 Adaptor ø 90mm /100mm (ø3.5in/ø3.9in)
- 1 Adaptor ø 90mm/76.20mm (ø3.5in /ø 2.9in)
- 1 Flush pipe ø 56mm x 165mm (ø2.2in x 6.5in)
- 1 Protection pipe Ø90mm (ø3.5in)
- 1 Protection pipe Ø45mm (ø1.7in)

Fixing accessories for wall structure:

- 6 Galvanized screws M8x70mm (2.7in)
- 6 Galvanized washers M8 DIN 9021
- 6 Bushings for metal structure
- 4 Metal fixings
- 2 Screws M8 x 40mm (1.5in)

### Fixing accessories for toilet bowl mounting on the structure:

- 2 Threaded rods M12
- 2 Nuts M12
- 2 Threaded rod protectors
- 2 Protective covers
- 2 Toilet centring washers
- 2 Washers Zn ø 34mm (ø1.3in)



AKTUELL.CA